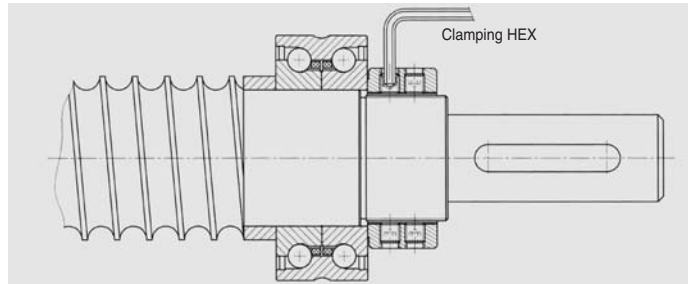




LRP NUT

2 SYMETRICAL CLAMPING SPRINGS RADIAL LOCKING HEAVY DUTY SERIES

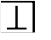



LRP nuts for mounting and set up of a ball screw.

CHARACTERISTICS

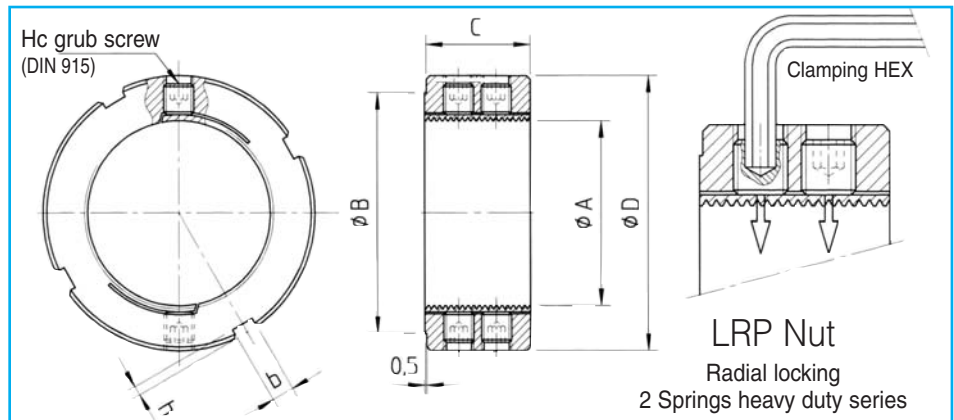
- LRP nuts are used wherever heavy duty clamping for ball bearings is required.
- Larger nuts, symmetrical clamping springs and bigger screws ensure an increased unlocking torque as well as a much stronger resistance to axial load stress.
- The contact surface perpendicular to the threaded side allows the adjusting and securing of all types of bearings as well as other mechanical elements requiring very precise tolerances.

SPECIFICATIONS

- **Material:**
High elastic limit steel
- **Peripheral notches:**
4 at 90°
-   IT 4
To ensure squareness and minimum run-out of the SFERO nuts and rings, all threading and contact face machining operations are performed in one setting.
- **Screw:**
Hc type with dog-point tip 14.9
- **Standard manufacturing:**
 - 4H class precision threading
 - right-hand thread
 - Fine-ground contact face
 - Marquing on the opposite side
 - Black oxide

OPTIONS

- **Other versions are also available upon request:**
 - fine-ground threads
 - left-hand thread
 - Other sizes
 - Other materials



Type	Thread A	Ø D	Ø B	C	b x h	HC Grub screw	Unlocking Torque in Nm	Max Axial load in Newton
LRP 20.150	20 x 1.50	42	37				155	48 861
LRP 22.150	22 x 1.50	44	39				180	56 997
LRP 25.150	25 x 1.50	47	42				210	68 558
LRP 30.150	30 x 1.50	52	47		5 x 2		235	91 109
LRP 32.150	32 x 1.50	55	50	16		2 screws	260	101 813
LRP 35.150	35 x 1.50	60	55			M 8	300	116 513
LRP 38.150	38 x 1.50	62	57				330	126 786
LRP 40.150	40 x 1.50	65	59				375	139 203
LRP 42.150	42 x 1.50	68	62		6 x 2,5		420	146 337
LRP 45.150	45 x 1.50	70	64				470	163 319
LRP 50.150	50 x 1.50	72	66				1200	290 849
LRP 55.150	55 x 1.50	78	71				1530	327 796
LRP 55.200	55 x 2.00	78	71				1550	297 488
LRP 60.150	60 x 1.50	83	76		7 x 3		1590	358 134
LRP 60.200	60 x 2.00	83	76				1600	330 268
LRP 65.150	65 x 1.50	88	81	28		4 screws	1680	402 859
LRP 65.200	65 x 2.00	88	81			M 8	1690	358 400
LRP 70.150	70 x 1.50	96	88				1760	440 525
LRP 70.200	70 x 2.00	96	88				1770	407 345
LRP 75.150	75 x 1.50	104	96		8 x 3,5		1840	482 416
LRP 75.200	75 x 2.00	104	96				1850	446 561
LRP 80.200	80 x 2.00	110	102				2500	558 080
LRP 85.200	85 x 2.00	115	107				2700	606 075
LRP 90.150	90 x 1.50	120	111				2850	666 863
LRP 90.200	90 x 2.00	120	111		10 x 4		2860	651 140
LRP 95.200	95 x 2.00	125	116				3000	687 844
LRP 100.200	100 x 2.00	130	121				3150	734 407
LRP 105.200	105 x 2.00	135	124				3320	776 789
LRP 110.200	110 x 2.00	138	127				3480	825 099
LRP 115.200	115 x 2.00	145	134		12 x 5		3720	868 730
LRP 120.200	120 x 2.00	148	137				3840	912 861
LRP 125.200	125 x 2.00	155	144			4 screws	> 4000	957 491
LRP 130.200	130 x 2.00	158	147	32		M 10	> 4000	1 002 620
LRP 135.200	135 x 2.00	165	152				> 4000	1 048 248
LRP 140.200	140 x 2.00	168	155				> 4000	1 087 450
LRP 145.200	145 x 2.00	175	162				> 4000	1 133 828
LRP 150.200	150 x 2.00	178	165				> 4000	1 180 705
LRP 155.300	155 x 3.00	185	172				> 4000	1 184 672
LRP 160.300	160 x 3.00	188	175		14 x 6		> 4000	1 231 267
LRP 165.300	165 x 3.00	195	182				> 4000	1 278 361
LRP 170.300	170 x 3.00	198	185				> 4000	1 325 955
LRP 180.300	180 x 3.00	210	197				> 4000	1 413 749
LRP 190.300	190 x 3.00	220	207				> 4000	1 493 151
LRP 200.300	200 x 3.00	230	217				> 4000	1 582 443