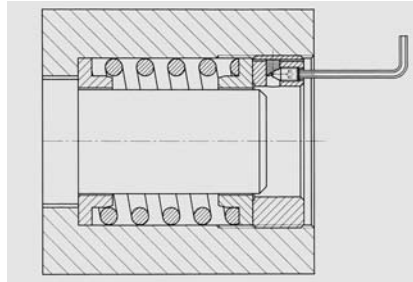




# LX RING

## 1 CLAMPING SPRING EXTERNAL FRONT LOCKING



Pre-loading or relief setting of a spring-mounted device inside a housing.

### CHARACTERISTICS

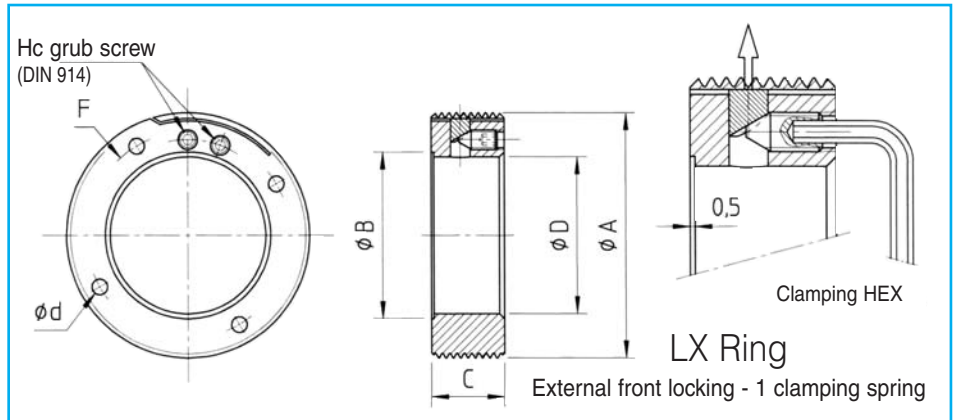
- LX rings feature the same principles as those of the LF nuts, applying the same to the bores and being consequently perfectly adapted for securing parts inside housings or chambers.
- The axial strength activated by turning the Hc grub screw is activated onto the threaded spring through 90° wedges.
- The resulting radial strength applies onto the threaded spring.
- The clamping pressure applied onto the threaded surface of the spring allows for a powerful locking.
- The contact surface perpendicular to the threaded side allows the adjusting and locking of all types of bearings as well as other mechanical elements requiring very precise tolerances.
- In addition to the notches, the holes located on the front side allow an easy positioning of the ring by mean of a spanner wrench.

### SPECIFICATIONS

- Material:**  
High elastic limit steel
- Peripheral notches:**  
4 at 90°
- IT 4  
To ensure squareness and minimum run-out of the SFERO nuts and rings, all threading and contact face machining operations are performed in one setting.
- Screw:**  
Hc type set-screw with cone tip 14.9
- Standard manufacturing:**
  - 4g class precision threading
  - Fine ground threads
  - right-hand thread
  - Fine-ground contact face
  - Marquing on the opposite side
  - Black oxide

### OPTIONS

- Other versions are also available upon request:**
  - Left-hand thread
  - additional clamping springs
  - Other sizes
  - Other materials



Type	Thread A	Ø D	Ø B	C	Ø d	Hc Grub screw	Max Axial load in Newton	Weight in Kg
LX 28	28 x 1.50	12	16				97 200	0,05
LX 30	30 x 1.50	14	20			1	104 400	0,06
LX 32	32 x 1.50	15	20			grub screw	119 500	0,06
LX 34	34 x 1.50	18	22			M 4	127 200	0,06
LX 37	37 x 1.50	20	26				138 800	0,06
LX 39	39 x 1.50	22	28				146 500	0,08
LX 40	40 x 1.50	23	29		3,2		152 800	0,08
LX 42	42 x 1.50	24	31				160 700	0,09
LX 44	44 x 1.50	26	32				168 500	0,09
LX 46	46 x 1.50	28	33	15		2	179 200	0,11
LX 47	47 x 1.50	29	34			grub screws	183 200	0,11
LX 49	49 x 1.50	31	34			M 4	188 100	0,10
LX 50	50 x 1.50	32	35				173 500	0,11
LX 54	54 x 1.50	36	40				187 700	0,15
LX 57	57 x 1.50	39	44				198 300	0,14
LX 60	60 x 1.50	42	50				208 900	0,14
LX 63	63 x 1.50	43	46				219 500	0,17
LX 64	64 x 1.50	44	46				223 000	0,18
LX 67	67 x 1.50	47	47				237 400	0,19
LX 70	70 x 1.50	48	48				248 200	0,21
LX 74	74 x 1.50	54	57				262 600	0,21
LX 77	77 x 1.50	55	64				275 000	0,33
LX 80	80 x 1.50	55	55		4,2	2	384 800	0,37
LX 82	82 x 1.50	62	68			grub screws	394 500	0,33
LX 87	87 x 1.50	67	76			M 5	421 400	0,34
LX 92	92 x 1.50	72	80				450 000	0,35
LX 97	97 x 1.50	77	85				474 700	0,37
LX 100	100 x 2.00	80	90				488 000	0,40
LX 102	102 x 2.00	82	91				497 900	0,42
LX 107	107 x 2.00	82	92				522 600	0,53
LX 112	112 x 2.00	87	100				547 300	0,55
LX 117	117 x 2.00	92	101	20			575 500	0,57
LX 122	122 x 2.00	97	107			2	602 200	0,60
LX 125	125 x 2.00	100	110			grub screws	620 800	0,62
LX 127	127 x 2.00	102	110		5,2	M 6	630 900	0,63
LX 132	132 x 2.00	107	116				661 800	0,66
LX 142	142 x 2.00	117	118				714 600	0,73
LX 147	147 x 2.00	122	133				740 000	0,74
LX 152	152 x 2.00	127	138				767 600	0,78
LX 160	160 x 2.00	135	145				808 400	0,83